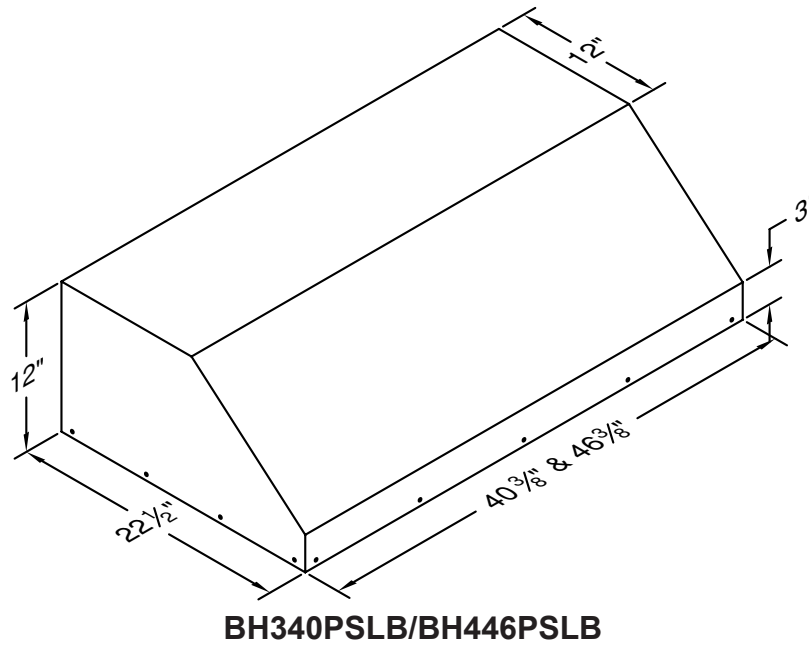


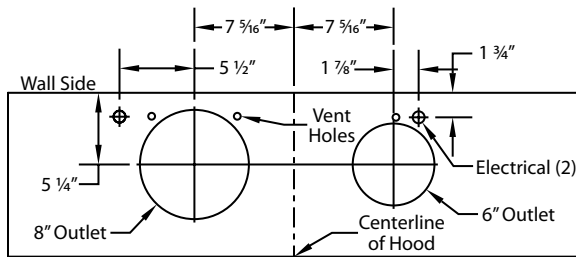
Vent Hood® WALL MOUNT LINER INSERT SPECIFICATIONS

BH340PSLB/BH446PSLB LINER Equipped with LED lighting. Not available with heat lamps.

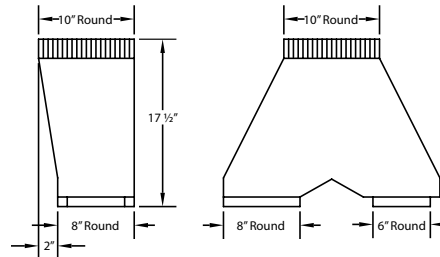


BH340PSLB/BH446PSLB

Connection Diagram (40-3/8" Width)

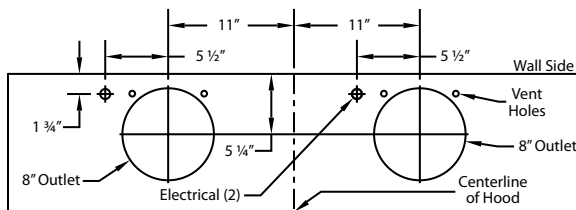


900 CFM B200 Dual & B100 Single Blowers (Top View)

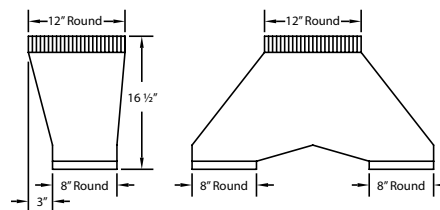


VP562 Transition (Optional) For B300 (B200 Dual & B100 Single Blowers)

Connection Diagram (46-3/8" Width)

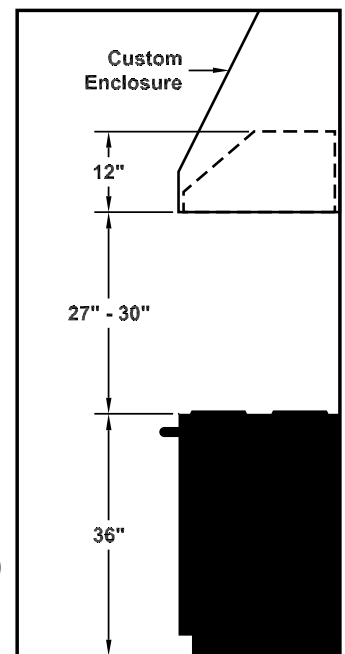


1200 CFM Double B200 Dual Blowers (Top View)



VP563 Transition (Optional) For B400 (Double B200 Dual Blowers)

Recommended Mounting Height*



*Recommended mounting height is for optimum performance.



Electrical/Mechanical Specifications For Blower Units

Model	Volts	Amps	Hz	RPM	CFM SP@0.0"	Equivalent CFM*	CFM SP@0.1"	CFM SP@0.2"	CFM SP@0.3"	Minimum Round Duct Size	Sones#
B200 Dual & B100 Single	115	6.0	60	1550	900	1350	804	725	655	VP562: 10" (79 in. ²)	6.3
Two B200 Duals	115	7.5	60	1550	1200	1800	1062	960	860	VP563: 12" (113 in. ²)	6.6

Equipped with three LED lights.

* Because the Magic Lung® blower uses centrifugal filtration rather than conventional baffle or mesh filters, the Magic Lung® blower can handle cooking equipment with higher cubic feet per minute (CFM) requirements and can deliver equivalent CFM much more efficiently than other filtration systems. When comparing the Magic Lung® with other blower units made by other manufacturers, use the "Equivalent CFM".

Ratings in accordance with the Standard Test Code by the Energy Systems Laboratory of the Texas Engineering Experiment Station.

SPECIFICATIONS SUBJECT TO CHANGE WITHOUT NOTICE Rev. 0516A

