



**Read and Save These Instructions**  
**All Hoods Must Be Installed By A Qualified Installer**

# **INSTALLATION INSTRUCTIONS**

## **IZTH ISLAND HOOD**

**Read All Instructions Thoroughly Before Beginning Installation**

**WARNING - TO REDUCE THE RISK OF FIRE, ELECTRIC SHOCK, OR INJURY TO PERSONS, OBSERVE THE FOLLOWING:**

- A. Installation work and electrical wiring must be done by qualified person(s) in accordance with all applicable codes and standards, including fire-rated construction. Switch power off at service panel and lock the service disconnecting means to prevent power from being switched on accidentally during installation.**
- B. When cutting or drilling into wall or ceiling, do not damage electrical wiring and other hidden utilities.**
- C. Ducted fans must always be vented to the outdoors.**
- D. Sufficient air is needed for proper combustion and exhausting of gases through the flue (chimney) of fuel burning equipment to prevent back drafting. Follow the heating equipment manufacturer's guideline and safety standards such as those published by the National Fire Protection Association (NFPA), and the American Society for Heating, Refrigeration and Air Conditioning Engineers (ASHRAE), and local code authorities.**
- E. ASHRAE residential ventilation standard 62.2 limits exhaust fans (total) to a maximum of 15 CFM per 100 square feet of occupiable space, unless a back drafting test is performed or make-up air is provided. Consult a local HVAC engineer for make-up air evaluation.**

**WARNING - TO REDUCE THE RISK OF FIRE, USE ONLY METAL DUCTWORK**

# Vent-A-Hood®

## Ducting Do's and Don'ts

### General Requirements

- Observe local codes regarding special duct requirements and placement of duct against combustibles.
- Using Vent-A-Hood transitions (back page) will ensure proper efficiency.
- Using Vent-A-Hood roof jacks or wall louvers (back page) will ensure proper efficiency.
- Where possible, seal joints with duct tape.
- The hood must be ducted to the outdoors without restrictions.

### Blower Requirements

- The island dual blower unit (T200) requires 8" round duct or equivalent (50 square inches), and the island cluster blower unit (T400) requires 12" round duct or equivalent (113 square inches).

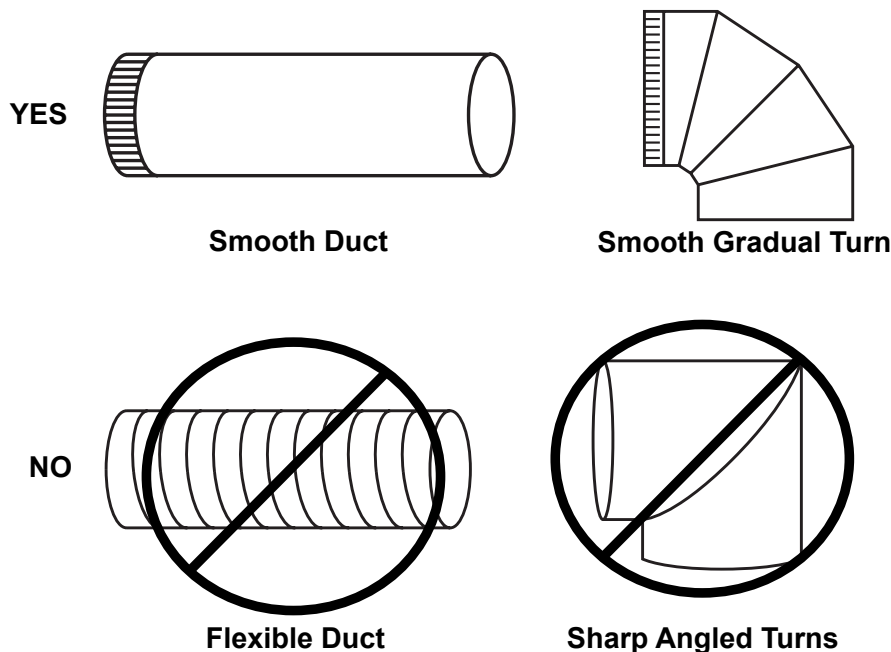
Blower	Combined Duct Dize	Sq. Inch Area	Vent-A-Hood Transition
Island Dual (T200)	8" round or equivalent	50 sq. in.	VP565 (Included)
Island Cluster (T400)	12" round or equivalent	113 sq. in.	VP564 (Included)

### Ducting Requirements

- **NEVER** reduce the duct size.
- Do not use flexible or corrugated duct. This type of duct will restrict airflow and reduce performance.
- Only use smooth, galvanized, metal duct.
- Make the duct run as short and as straight as possible with as few turns as possible.
- Avoid sharp-angled turns. Instead, use smooth, gradual turns such as adjustable elbows or 45 degree angled turns.
- For duct runs over 20 feet, increase the duct diameter by one inch for every ten feet of duct.
- A 90 degree elbow is equal to 5 feet of duct.

### Termination Requirements

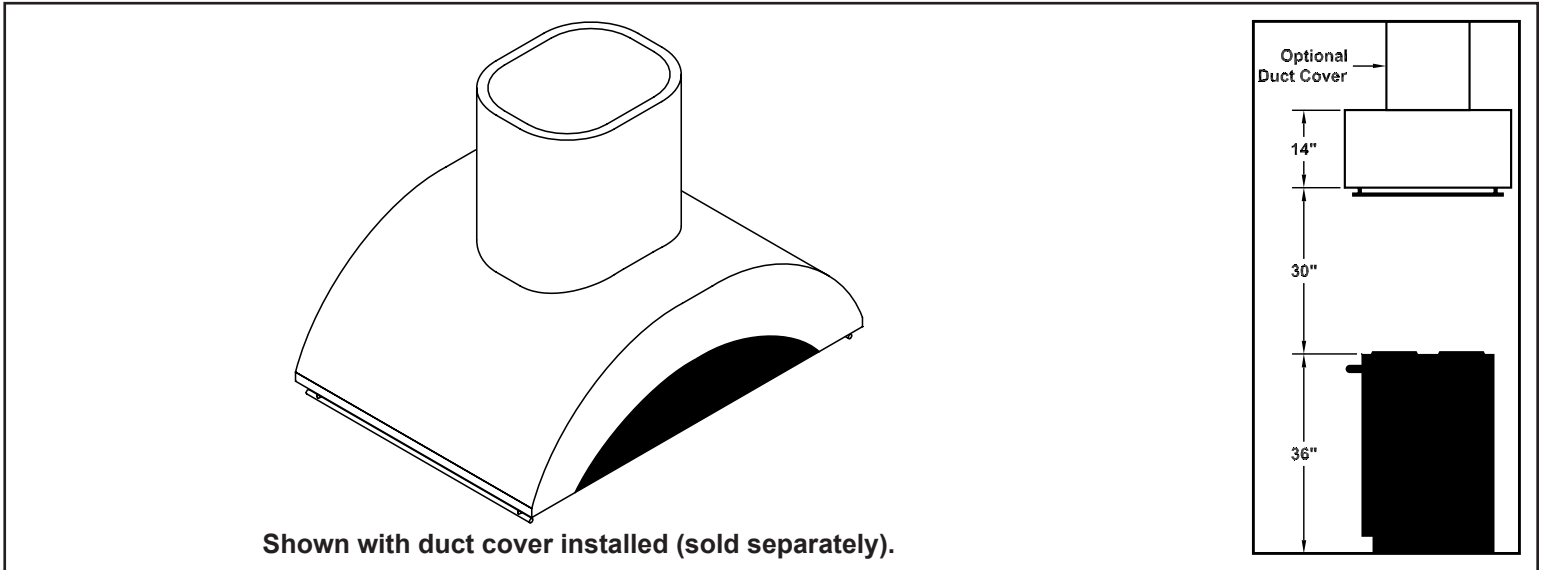
- Airflow must not be restricted at the end of the duct run.
- A wall louver or roof jack is required for each duct run.
- Every wall louver or roof jack must include a gravity damper to prevent back drafts.
- Do not use screen wire or spring-loaded doors on wall louvers or roof jacks.
- Do not terminate venting into an attic or chimney.



# Vent-A-Hood®

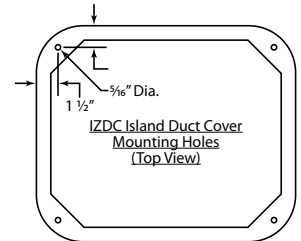
## Installation Details

- 1) Read all instructions thoroughly before beginning installation.
- 2) When installing an IZTH island hood, it is recommended that the bottom edge of the hood be located no more than 30" above the cooking surface for optimum performance.



- 3) Load-bearing framework in the ceiling is necessary for the installation of an island hood. Additional framework construction may be required. Do not attach an island hood to a structure that cannot support twice the weight of the hood.

Remove the duct cover from its packaging and remove the hood-mounting screws from the base of the duct cover. Install the duct cover to the load-bearing framework in the ceiling using appropriate hardware through the four inside corner mounting flanges on the top of the duct cover.



- 4) Install the duct from the outside of the home down to the location of the transition outlet plus 1". This will allow the transition to engage 1" inside of the duct. Consult connection diagrams (on next page) for further details on exhaust outlet placement.

Use duct tape to seal all joints. A complete listing of available Vent-A-Hood ducting materials is listed on the back page of this instruction sheet.

Transition heights are as follows:

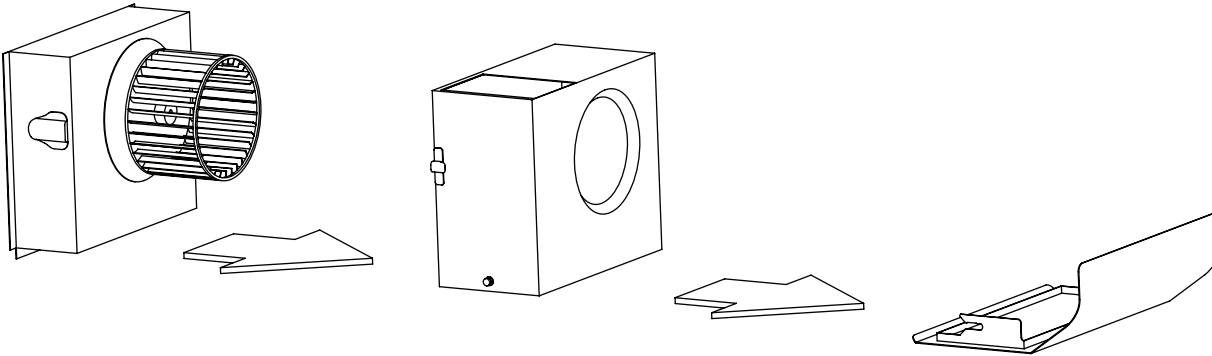
- |                               |  |
|-------------------------------|--|
| Island Dual Blower (T200):    | 8" round duct connects to 9" tall VP565 transition (included).       |
| Island Cluster Blower (T400): | 12" round duct connects to 11 1/4" tall VP564 transition (included). |

- 5) Prepare a protective surface on the floor or countertop for the hood. Remove the hood from its packaging and place it upside-down on the protective surface for access to the inside of the hood.

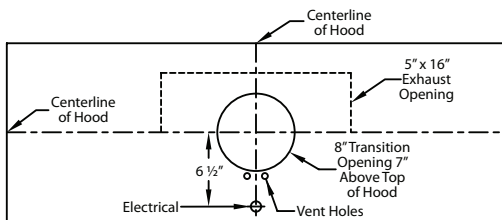
# Vent-A-Hood®

## Installation Details Continued

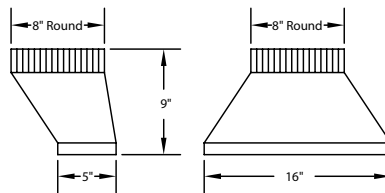
- 6) Remove the shipping tape that is securing the E-Z Clean shields inside the hood. Remove the E-Z Clean shields by lightly pulling each toward the end of the hood. Gently close the back draft dampers from the top side of the hood. To remove the blower housings, unsnap the suitcase latches (one on each side of the housing). The housings should be pulled forward and gently “tipped” to clear the blower wheels and then out of the hood.



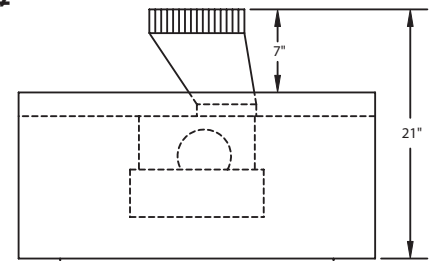
### Connection Diagram (42" - 48" Widths)



**550 CFM T200 Dual Blower  
(Top View)**

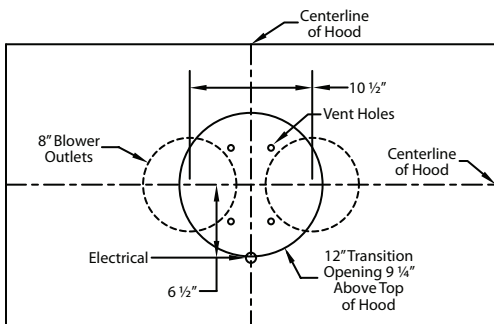


**VP565 Transition  
(Included)**

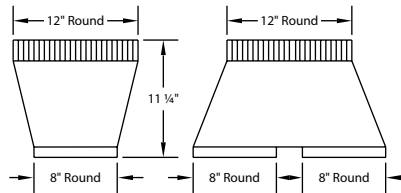


**Transition Installed  
(Side View)**

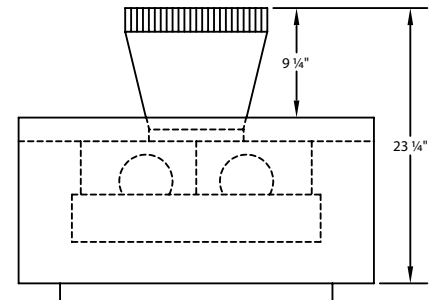
### Connection Diagram (54" - 66" Widths)



**1100 CFM T400 Cluster Blower  
(Top View)**



**VP564 Transition  
(Included)**



**Transition Installed  
(Side View)**

**Warning: Make sure power is off and locked at the service disconnecting means on the service panel during installation.**

- 8) Remove the blower mounting assembly by removing the 12 screws around the blower mounting plate. Unplug the electrical connector(s) and set the blower assembly aside, taking care not to damage blower wheels.
- 9) Install an appropriate 1/2" UL listed electrical wire clamp through the electrical strap(s) on the top of the hood deck. Install electrical wiring from the service panel to the hood location for each blower assembly. Consult the connection diagrams (above) for further details on electrical placement. Support the hood beneath the location where it will hang and feed the electrical wire(s) into the wire clamp(s). Tighten the wire clamp(s).

# Vent Hood®

## Installation Details Continued

Model	Volts	Amps	Hz	RPM	CFM SP@0.0"	Equivalent CFM*	CFM SP@0.1"	CFM SP@0.2"	CFM SP@0.3"	Minimum Round Duct Size	Sones#
T200 Island Dual	115	4.0	60	1550	550	900	507	471	431	8" (50 in. <sup>2</sup> )	6.0
T400 Island Cluster	115	7.5	60	1550	1100	1800	998	855	774	12" (13 in. <sup>2</sup> )	6.4

\* Because the Magic Lung® blower uses centrifugal filtration rather than conventional baffle or mesh filters, the Magic Lung® blower can handle cooking equipment with higher cubic feet per minute (CFM) requirements and can deliver equivalent CFM much more efficiently than other filtration systems. When comparing the Magic Lung® with other blower units made by other manufacturers, use the "Equivalent CFM".

# Ratings in accordance with the Standard Test Code by the Energy Systems Laboratory of the Texas Engineering Experiment Station.

- 10) Raise the hood to its final position and attach it to the duct cover using the screws previously removed in Step 3.
- 11) From inside the hood, using UL listed wire nuts, attach the "neutral" wire(s) to the white lead(s), the "hot" wire(s) to the black lead(s), and the ground wire(s) to the green lead(s).

**Warning: Do not operate hood without proper ground connection.**

- 12) Attach the transition to the blower assembly and seal with duct tape. The transition must fit inside the exhaust collar on the blower assembly. Reconnect the electrical connector(s). For assemblies with two connectors, connect the right harness to the front connector and the left harness to the back connector. While taking care to properly align the duct connection between the transition and the duct in the ceiling, reinstall the blower deck assembly into the hood using the 12 screws that were removed in Step 8.
- 13) Replace the blower housings and the blower shields. Make sure that the dampers open and close smoothly.
- 14) Refer to Owner Maintenance Guide Operating Instructions for proper hood operation. Test all blower and light functions to ensure they are operating properly.

# VENTING

# Vent A Hood®

# ACCESSORIES

**WALL LOUVER**

MODEL	DIM
VP526	6" Round
VP527	7" Round
VP528	8" Round

**WALL LOUVER**

MODEL	DIM
VP554	10" Round

**WALL LOUVER**

MODEL	DIM
VP555	12" Round

**RECTANGULAR WALL LOUVER**

MODEL	DIM
VP538	6" x 8 1/2"
VP560	3 1/4" x 10"

**LOW PROFILE ROOF JACK (MAXIMUM 4/12 PITCH)**

MODEL	DIM
VP539	6" Round
VP540	7" Round
VP541	8" Round

**LOW PROFILE ROOF JACK (MAXIMUM 4/12 PITCH)**

MODEL	DIM
VP552	10" Round
VP553	12" Round

**LOW PROFILE ROOF JACK (MINIMUM 4/12 PITCH)**

MODEL	DIM
VP539-HP	6" Round
VP540-HP	7" Round
VP541-HP	8" Round

**LOW PROFILE ROOF JACK (MINIMUM 4/12 PITCH)**

MODEL	DIM
VP552-HP	10" Round
VP553-HP	12" Round

**ADJUSTABLE ELBOW**

VP513 - 8 1/2"  
VP514 - 9 9/16"  
VP515 - 10 5/8"

MODEL	DIM
VP513	6" Round
VP514	7" Round
VP515	8" Round

**BACK/SIDE VENT ELBOW**

MODEL	DIM
VP561	8" to 6" x 8 1/2"

**3 1/4" x 10" BACK VENT ELBOW**

MODEL	DIM
VP559	3 1/4" x 10"

**3 1/4" x 10" TO 7" TRANSITION**

MODEL	DIM
VP521	3 1/4" x 10" to 7"

**MULTI-BLOWER TRANSITION**

MODEL	DIM
VP562	6" & 8" to 10"
VP563	8" & 8" to 12"

**M1 200 STANDARD TRANSITION**

MODEL	DIM
VP566	21" x 8" to 10"

**STANDARD ISLAND TRANSITION**

MODEL	DIM
VP565	5" x 16" to 8"

**CLUSTER BLOWER TRANSITION**

MODEL	DIM
VP564	8" & 8" to 12"

**OFFSET L & R TRANSITION FOR ISLAND BLOWERS**

MODEL	DIM
VP542	Top Left
VP543	Top Right

**SIDE VENT TRANSITION L & R FOR ISLAND BLOWERS**

MODEL	DIM
VP544	Left Side
VP545	Right Side

**OFFSET KIT - ROUND**

MODEL	DIM
VP529	6" Rnd to 7" Rnd

**OFFSET KIT - RECTANGULAR**

MODEL	DIM
VP550	6" Rnd to 3 1/4" x 10"

**"Y" TRANSITION**

MODEL	DIM
VP517	8" & 8" to 12"
VP518	6" & 8" to 12"
VP551	6" & 8" to 10"

**ROUND DUCT PIPE**

MODEL	DIM
VP500	6" Round
VP501	7" Round
VP502	8" Round

**3 1/4" RECTANGULAR DUCT PIPE**

MODEL	DIM
VP504	3 1/4" x 10"
VP505	3 1/4" x 12"
VP506	3 1/4" x 16"

**6" RECTANGULAR DUCT PIPE**

MODEL	DIM
VP507	6" x 8 1/2"