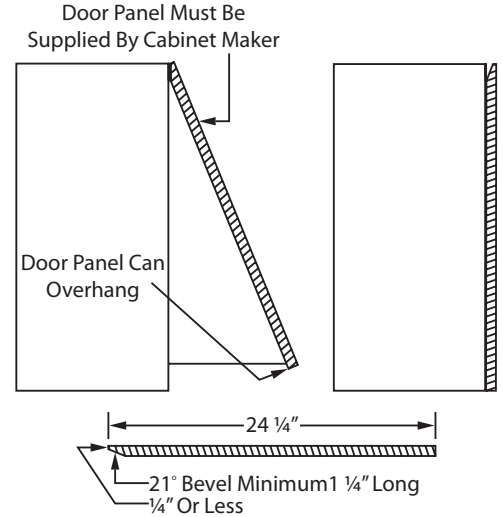
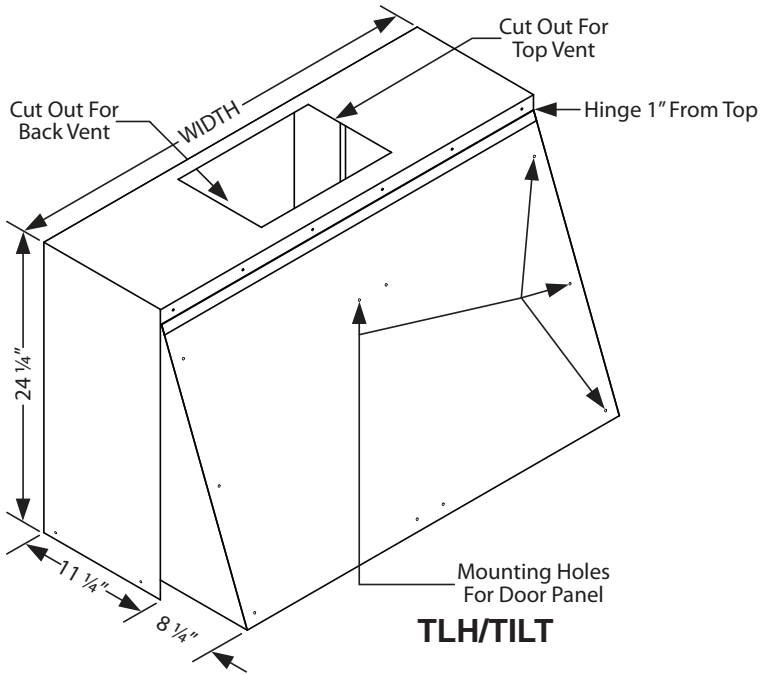


# Vent-A-Hood® WALL MOUNT RANGE HOOD SPECIFICATIONS

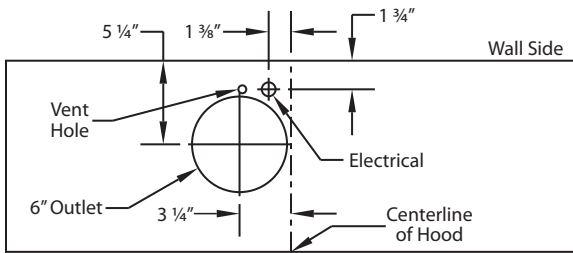
TLH (Halogen Lights) Not available with heat lamps.

TILT (Fluorescent Light) Not available with heat lamps.

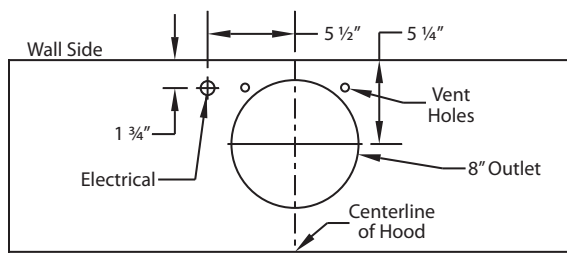


**Door Panel Specifications**

## Connection Diagrams (30" - 48" Widths)

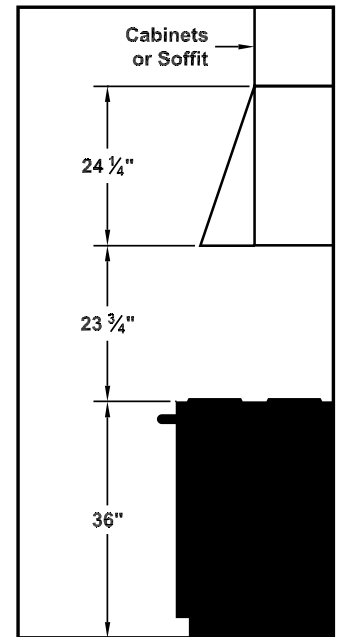


**300 CFM B100 Single Blower (Top View)**

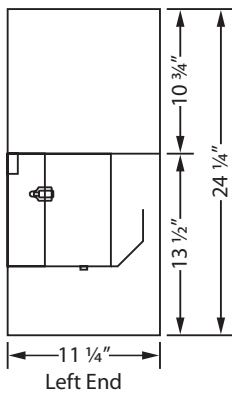


**600 CFM B200 Dual Blower (Top View)**

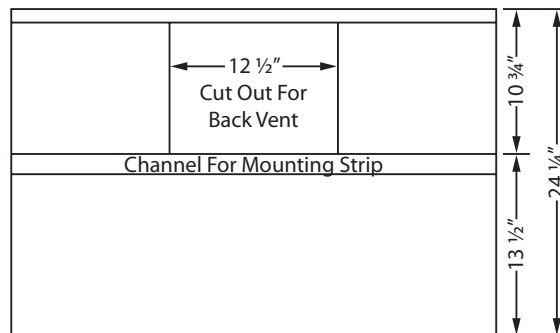
## Recommended Mounting Height\*



\*Exceeding recommended mounting height may compromise performance.



Left End



Back View of Hood

## Electrical/Mechanical Specifications For Blower Units

Model	Volts	Amps	Hz	RPM	CFM SP@0.0"	Equivalent CFM*	CFM SP@0.1"	CFM SP@0.2"	CFM SP@0.3"	Minimum Round Duct Size	Sones#
B100 Single	115	1.5	60	1550	300	450	273	245	225	6" (28 in. <sup>2</sup> )	5.4
B200 Dual	115	2.9	60	1550	600	900	531	480	430	8" (50 in. <sup>2</sup> )	6.5

\* Add 0.5 amp for each halogen light. Hood is available with a single fluorescent light or with halogen lights (2 lights: 30" - 41", 3 lights: 42" - 48").

# Because the Magic Lung® blower uses centrifugal filtration rather than conventional baffle or mesh filters, the Magic Lung® blower can handle cooking equipment with higher cubic feet per minute (CFM) requirements and can deliver equivalent CFM much more efficiently than other filtration systems. When comparing the Magic Lung® with other blower units made by other manufacturers, use the "Equivalent CFM".

# Ratings in accordance with the Standard Test Code by the Energy Systems Laboratory of the Texas Engineering Experiment Station.

