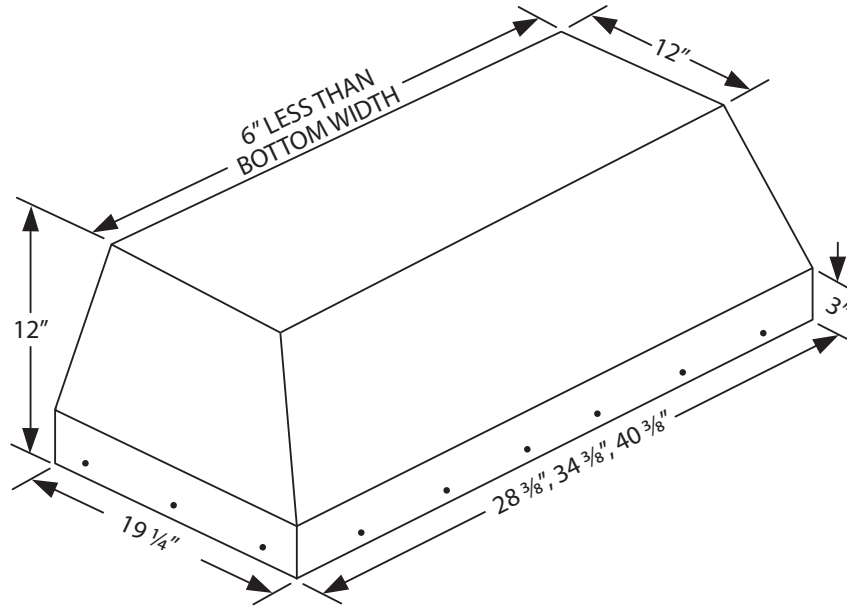


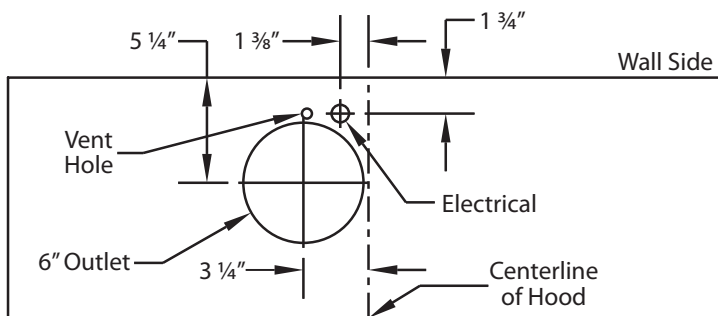
VentA Hood® WALL MOUNT LINER INSERT SPECIFICATIONS

BSLD/BHSLD LINER "H" in part number indicates halogen lighting. This model not available with heat lamps.

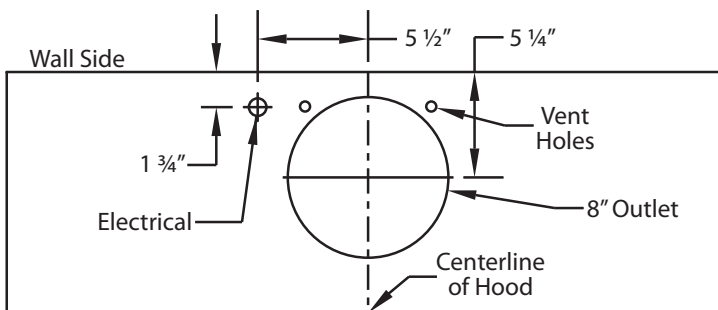


BSLD/BHSLD

Connection Diagrams (28 3/8", 34 3/8", 40 3/8" Widths)

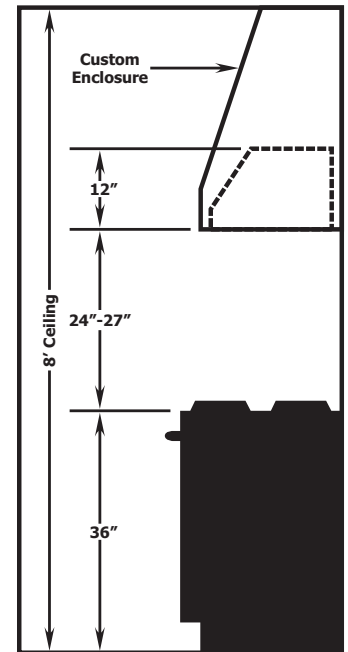


**300 CFM B100 Single Blower
(Top View)**



**600 CFM B200 Dual Blower
(Top View)**

Recommended Mounting Height*



*Exceeding recommended mounting height may compromise performance.

Electrical/Mechanical Specifications For Blower Units

Model	Volts	Amps*	RPM	CFM SP@0.0"	Equivalent CFM#	CFM SP@0.1"	CFM SP@0.2"	CFM SP@0.3"	Minimum Round Duct Size	Square Inches
B100 Single	115	1.7	1550	300	450	286	270	240	6" (or equivalent)	28
B200 Dual	115	3.4	1550	600	900	572	540	480	8" (or equivalent)	50

* Note: Add 0.5 amp for each halogen light. Hood is available with a single fluorescent light or with two halogen lights.

Because the Magic Lung® uses centrifugal filtration rather than conventional baffle or mesh filters, the Magic Lung® blower can handle cooking equipment with higher cubic feet per minute (CFM) requirements and can deliver equivalent CFM much more efficiently than other filtration systems. When comparing the Magic Lung® with other blower units made by other manufacturers, use the "Equivalent CFM".