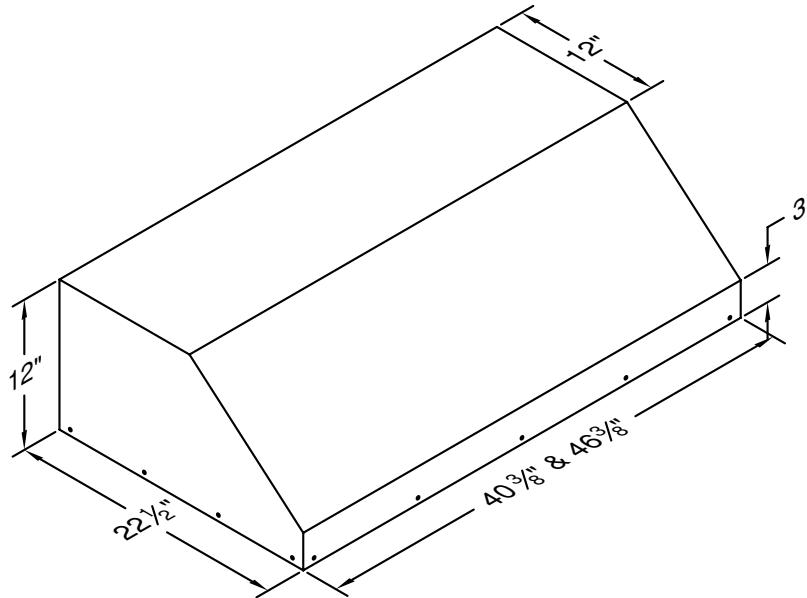


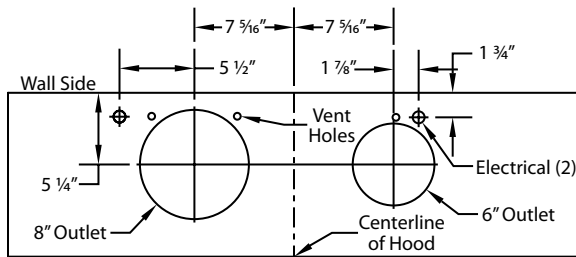
Vent Hood® WALL MOUNT LINER INSERT SPECIFICATIONS

BH340PSLB/B446PSLB/BH446PSLB LINER "H" in model number designates halogen lighting. BH340PSLB is available with halogen lights only. This model not available with heat lamps.

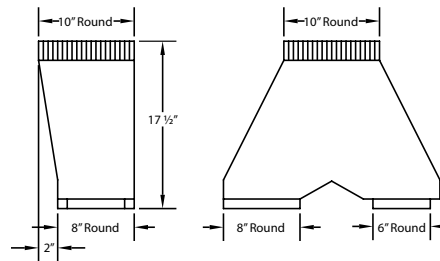


BH340PSLB/B446PSLB/BH446PSLB

Connection Diagram (40-3/8" Width)

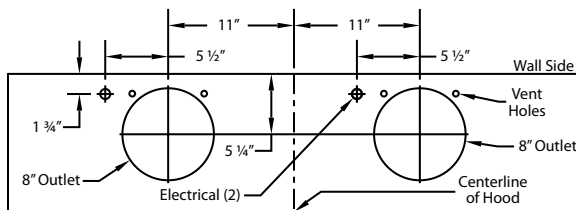


900 CFM B200 Dual & B100 Single Blowers (Top View)

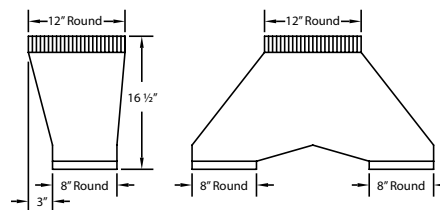


VP562 Transition (Optional) For B300 (B200 Dual & B100 Single Blowers)

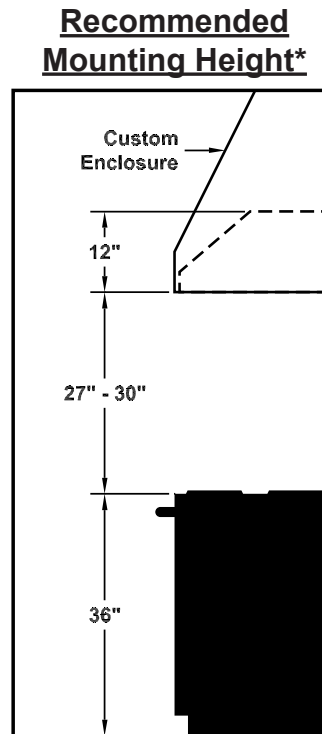
Connection Diagram (46-3/8" Width)



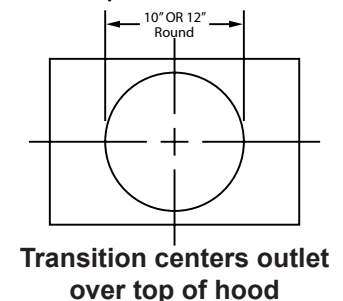
1200 CFM Double B200 Dual Blowers (Top View)



VP563 Transition (Optional) For B400 (Double B200 Dual Blowers)



***Recommended mounting height is for optimum performance.**



Electrical/Mechanical Specifications For Blower Units

Model	Volts	Amps*	Hz	RPM	CFM SP@0.0"	Equivalent CFM*	CFM SP@0.1"	CFM SP@0.2"	CFM SP@0.3"	Minimum Round Duct Size	Sones#
B200 Dual & B100 Single	115	4.4	60	1550	900	1350	804	725	655	VP562: 10" (79 in. ²)	6.3
Two B200 Duals	115	5.8	60	1550	1200	1800	1062	960	860	VP563: 12" (113 in. ²)	6.6

* Add 0.5 amp for each halogen light. The B446PSLB is available with two fluorescent lights. Both models are available with three halogen lights.
 # Because the Magic Lung® blower uses centrifugal filtration rather than conventional baffle or mesh filters, the Magic Lung® blower can handle cooking equipment with higher cubic feet per minute (CFM) requirements and can deliver equivalent CFM much more efficiently than other filtration systems. When comparing the Magic Lung® with other blower units made by other manufacturers, use the "Equivalent CFM".
 # Ratings in accordance with the Standard Test Code by the Energy Systems Laboratory of the Texas Engineering Experiment Station.

