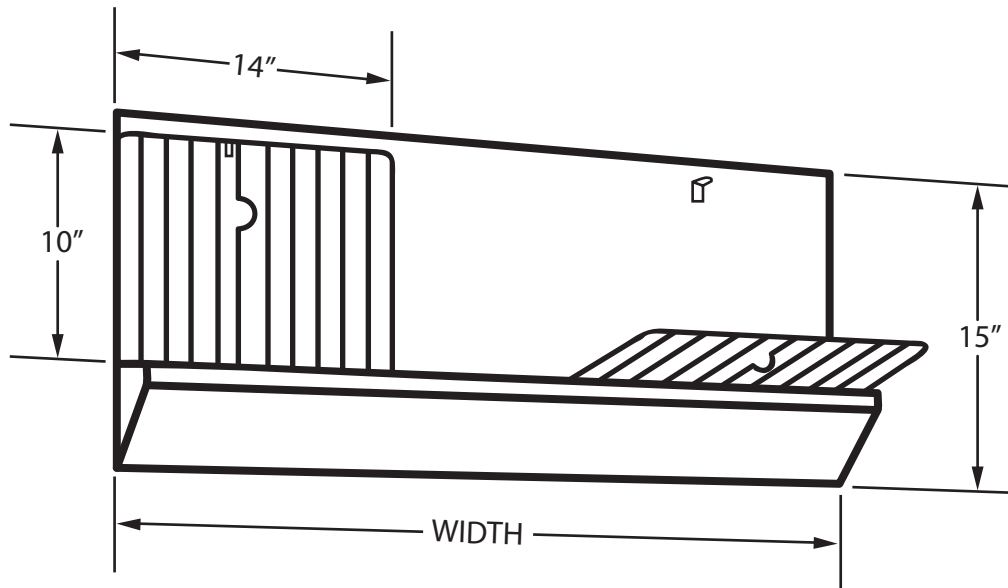


Vent Hood®

Installation Instructions Warming Shelf Assembly



<u>Model Number</u>	<u>Width</u>
WSO30	30"
WSO36	36"
WSO42	42"
WSO48	48"
WSO54	54"
WSO60	60"
WSO66	66"
WSO72	72"

The top back edge of the warming shelf assembly fits 1/2" to 1" behind the bottom back edge of the hood. There are holes in the warming shelf assembly across the top and down the sides. To install the warming shelf, place it against the wall in the desired location, and mark the location of the mounting holes on the wall. Next, drill and install wall anchors (for #8 screws) for the mounting holes. Finally, attach the warming shelf assembly to the wall with #8 screws.