



# **Custom Liner Insert Measurement Sheets**



# CUSTOM WALL MOUNT LINER INSERTS

## B-LD Wall Mount Measurements

Top Width: \_\_\_\_\_

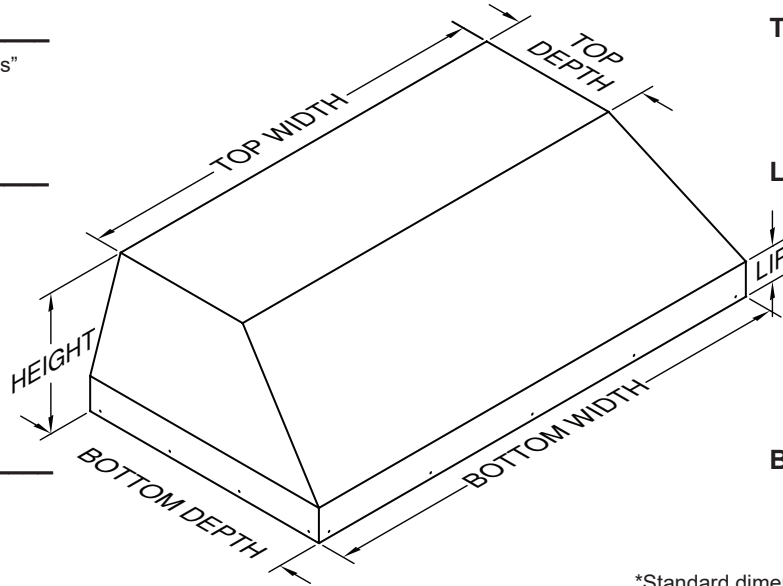
Note: See "Blower Configurations" below for more information.

Height: \_\_\_\_\_

\*Standard: 12"  
Minimum: 9"  
Maximum: 18"

Bottom Depth: \_\_\_\_\_

\*Standard Depth: 16" - 24"



Top Depth: \_\_\_\_\_

\*Standard: 12" (Minimum)

Lip: \_\_\_\_\_

\*Standard: 3" (Minimum)

Bottom Width: \_\_\_\_\_

\*Standard dimensions are available at no additional cost. Additional charges will apply for non-standard dimensions.

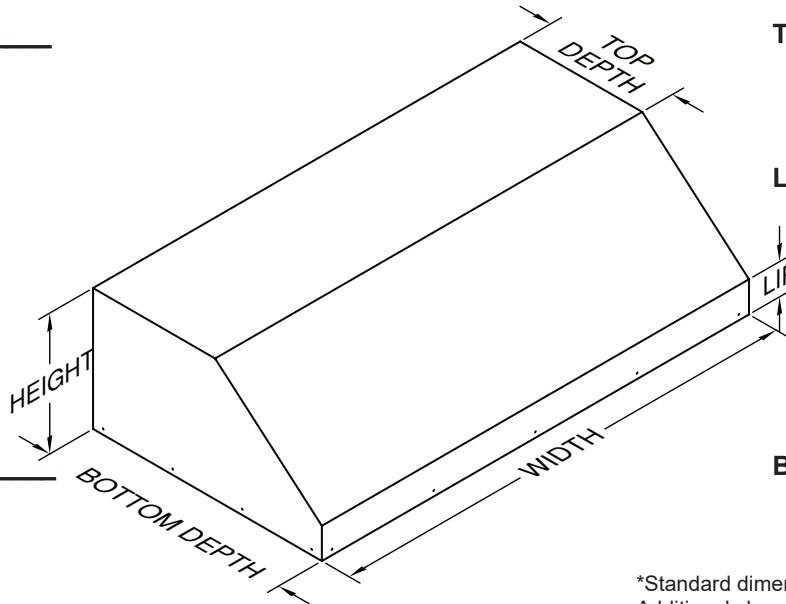
## B-LB Wall Mount Measurements

Height: \_\_\_\_\_

\*Standard: 12"  
Minimum: 9"  
Maximum: 18"

Bottom Depth: \_\_\_\_\_

\*Standard Depth: 16" - 24"



Top Depth: \_\_\_\_\_

\*Standard: 12" (Minimum)

Lip: \_\_\_\_\_

\*Standard: 3" (Minimum)

Bottom Width: \_\_\_\_\_

Note: See "Blower Configurations" below for more information.

\*Standard dimensions are available at no additional cost. Additional charges will apply for non-standard dimensions.

## ADDITIONAL INFORMATION NEEDED FOR EACH MODEL LINER

### FINISH

- \_\_\_\_\_ Painted Color
- \_\_\_\_\_ Stainless Steel

### LIGHTING

- \_\_\_\_\_ LED

### BLOWER CONFIGURATION\*

- \_\_\_\_\_ B100 - 300 CFM (Minimum Top Width: 16")
- \_\_\_\_\_ B200 - 600 CFM (Minimum Top Width: 24")
- \_\_\_\_\_ B300 - 900 CFM (Minimum Top Width: 42")
- \_\_\_\_\_ B400 - 1200 CFM (Minimum Top Width 48")
- \_\_\_\_\_ RM1000 - 1000 CFM (Minimum Top Width 24")
- \_\_\_\_\_ RM1500 - 1500 CFM (Minimum Top Width 48")

### OPTIONAL ACCESSORIES

- \_\_\_\_\_ Accessory Rail (WR0L)
- \_\_\_\_\_ Warming Bar (WBAR)  
Note: Requires 18" Height.
- \_\_\_\_\_ Warming Light (WL-1)  
For liners less than 18" tall.  
Note: Each light requires 8" of top width.



# CUSTOM ISLAND MOUNT LINER INSERTS

## T-LE Island Mount Measurements

Top Width: \_\_\_\_\_

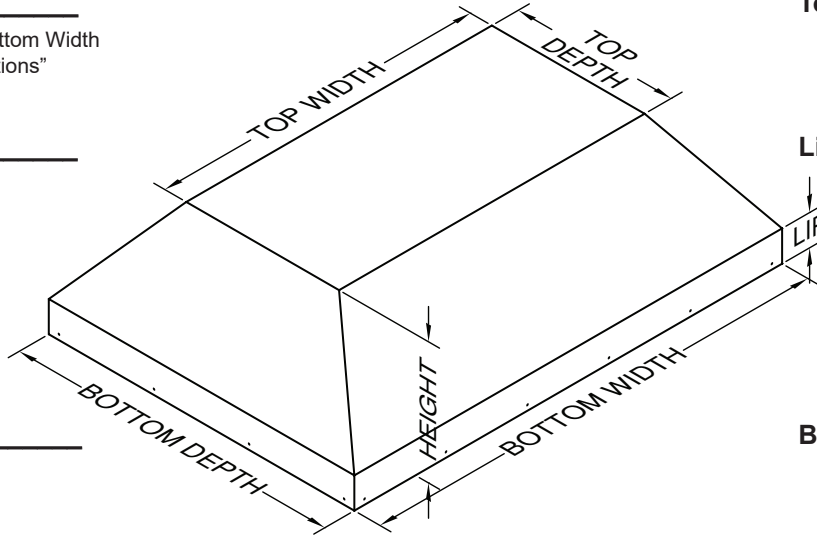
\*Standard: 12" Less Than Bottom Width  
 Note: See "Blower Configurations" below for more information.

Height: \_\_\_\_\_

\*Standard: 12"  
 Minimum: 9"  
 Maximum: 18"

Bottom Depth: \_\_\_\_\_

\*Standard: 27" (Minimum)



Top Depth: \_\_\_\_\_

\*Standard: 12" Less Than Bottom Depth  
 Minimum: 12"

Lip: \_\_\_\_\_

\*Standard: 3" (Minimum)

Bottom Width: \_\_\_\_\_

\*Standard dimensions are available at no additional cost. Additional charges will apply for non-standard dimensions.

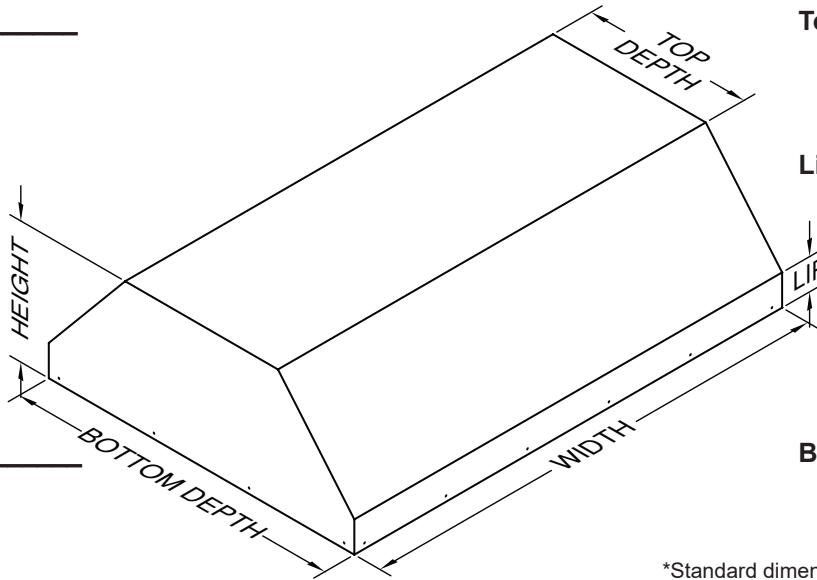
## T-LC Island Mount Measurements

Height: \_\_\_\_\_

\*Standard: 12"  
 Minimum: 9"  
 Maximum: 18"

Bottom Depth: \_\_\_\_\_

\*Standard: 27" (Minimum)



Top Depth: \_\_\_\_\_

\*Standard: 12" Less Than Bottom Depth  
 Minimum: 12"

Lip: \_\_\_\_\_

\*Standard: 3" (Minimum)

Bottom Width: \_\_\_\_\_

Note: See "Blower Configurations" below for more information.

\*Standard dimensions are available at no additional cost. Additional charges will apply for non-standard dimensions.

## ADDITIONAL INFORMATION NEEDED FOR EACH MODEL LINER

### FINISH

- \_\_\_\_\_ Painted Color
- \_\_\_\_\_ Stainless Steel

### BLOWER CONFIGURATION\*

- \_\_\_\_\_ T200 - 550 CFM (Minimum Top Width: 24")
- \_\_\_\_\_ T400 - 1100 CFM (Minimum Top Dimensions: 24" Wide x 24" Deep)
- \_\_\_\_\_ T2+200 - 1100 CFM (Minimum Top Width: 48")
- \_\_\_\_\_ RM1000 - 1000 CFM (Minimum Top Width 24")
- \_\_\_\_\_ RM1500 - 1500 CFM (Minimum Top Width 24")

### LIGHTING

- \_\_\_\_\_ LED

\*Smaller top sizes may be available based on overall liner configurations. Please contact Vent-A-Hood for details.