



Read and Save These Instructions
All Hoods Must Be Installed By A Qualified Installer

INSTALLATION INSTRUCTIONS

CONTEMPORARY ISLAND HOODS

WITH AIR RECOVERY SYSTEM

Read All Instructions Thoroughly Before Beginning Installation

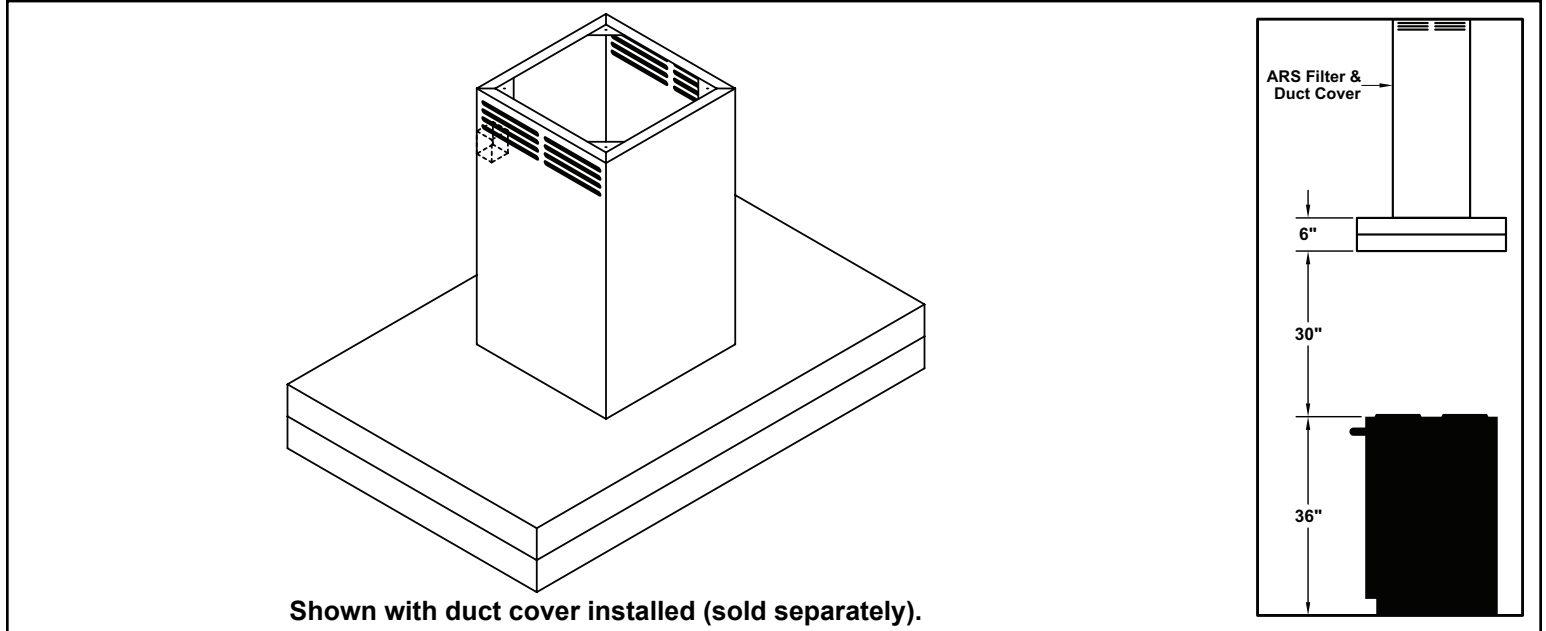
WARNING - TO REDUCE THE RISK OF FIRE, ELECTRIC SHOCK, OR INJURY TO PERSONS, OBSERVE THE FOLLOWING:

- A. Installation work and electrical wiring must be done by qualified person(s) in accordance with all applicable codes and standards, including fire-rated construction. Switch power off at service panel and lock the service disconnecting means to prevent power from being switched on accidentally during installation.**
- B. When cutting or drilling into wall or ceiling, do not damage electrical wiring and other hidden utilities.**
- C. Sufficient air is needed for proper combustion and exhausting of gases through the flue (chimney) of fuel burning equipment to prevent back drafting. Follow the heating equipment manufacturer's guideline and safety standards such as those published by the National Fire Protection Association (NFPA), and the American Society for Heating, Refrigeration and Air Conditioning Engineers (ASHRAE), and local code authorities.**

Vent-A-Hood®

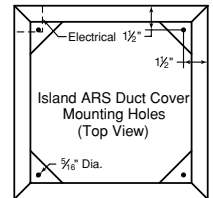
Installation Details

- 1) Read all instructions thoroughly before beginning installation. Note: These instructions apply to standard hoods only. Custom hoods may require additional specification consideration.
- 2) When installing a contemporary island mount Air Recovery System (ARS), it is recommended that the bottom edge of the hood be located no more than 30" above the cooking surface for optimum performance.



- 3) Load-bearing framework in the ceiling is necessary for the installation of an island hood. Additional framework construction may be required. Do not attach an island hood to a structure that cannot support twice the weight of the hood.

Remove the duct cover from its packaging and remove the hood-mounting screws from the base of the duct cover. Remove and set aside the filter support plate. Remove the duct cover front panel. The panel is held in place with four snaps at the corners and at least one snap on the left and right. Begin by pulling the panel away at one corner. Work around the duct cover disengaging one snap at a time until all the snaps are loose. Beware of sharp corners and edges. Use caution to prevent bending, scratching or dropping the cover. Install the duct cover to the load-bearing framework in the ceiling using appropriate hardware through the four inside corner mounting flanges on the top of the duct cover.



Electrical/Mechanical Specifications For Blower Units

Model	Volts	Amps	Hz
K250 ARS	115	3.5	60

- 4) Install an appropriate 1/2" UL listed electrical wire clamp into the junction box in the top of the duct cover. Install electrical wiring from the service panel to the duct cover location. Tighten the wire clamp.

Warning: Make sure power is off and locked at the service disconnecting means on the service panel during installation.

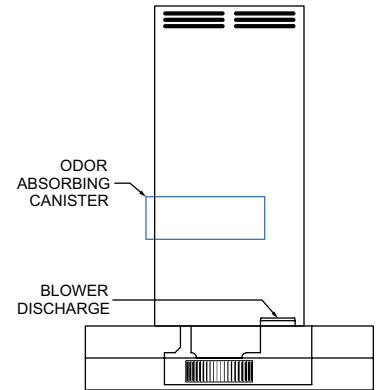
- 5) From inside the duct cover junction box, using UL listed wire nuts, attach the "neutral" wire(s) to the white lead(s), the "hot" wire(s) to the black lead(s), and the ground wire(s) to the green lead(s).

Warning: Do not operate hood without proper ground connection.

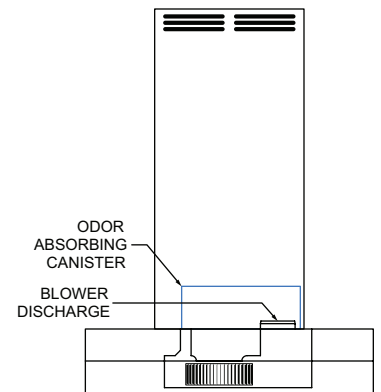
Installation Details Continued

- 6) Raise the hood to its final position and attach it to the duct cover using the screws previously removed in Step 3. Be careful not to damage the duct cover electrical harness wiring when aligning the top of the hood with the bottom of the duct cover by sliding the duct cover electrical harness plug into the receiving cutout in the top of the hood. Plug the duct cover electrical harness into the power connector inside upper area of the hood.
- 7) Place the filter support plate with the support legs pointing upward into the bottom of the duct cover. Lay the gasket around the blower discharge which should be protruding through the filter support plate.

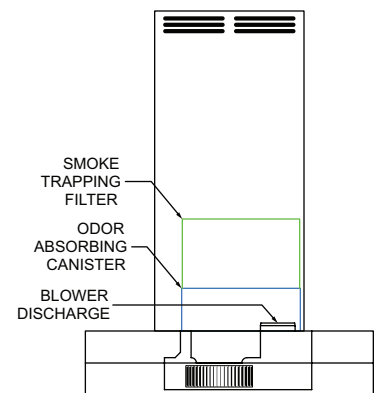
- 8) Remove the filter assembly from its packaging. With the blower discharge inlet facing downward, lift the odor absorbing canister. Hold the canister so that the canister bottom is just above the the bottom of the duct cover opening and slide the canister into the duct cover.



- 9) Move the canister all the way to the back and then lower the canister over the blower discharge. Shift the canister front to back and left to right to make sure that the blower discharge and canister have fully engaged.



- 10) With the gasket side facing down, nest the smoke trapping filter element into the pocket that forms the top of the odor absorbing canister. The filter may have a rectangular base so rotate as necessary. Replace the duct cover front panel by aligning the snaps and pressing each snap into position.



- 11) Refer to Owner Maintenance Guide Operating Instructions for proper hood operation. Test all blower and light functions to ensure they are operating properly.